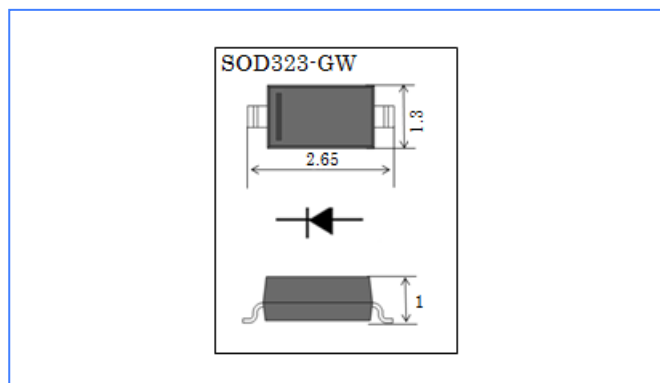


## Y3ZP2D2V4 THRU Y3ZP2D75

### FEATURES

- Constant Voltage control
- Wide Voltage Range Selection 2.4V to 75V
- SOD323-GW Thin SMD package
- RoHS compliant / Green EMC
- Matte Tin (Sn) Lead finish



### Absolute Maximum Ratings And Characteristics (Ta = 25 ° C)

Parameter	Symbol	Value	Unit
Power Dissipation	$P_d$	200	mW
Zener current	$I_z$	$P_v/V_z$	mA
Junction Temperature	$T_{j,}$	150	°C
Storage Temperature Range	$T_{stg}$	-55~+150	°C

### Electrical Characteristics (TA = 25 °C)

Part Number	VZ <sup>*1</sup>			IZT	ZZT@IZT	ZZK@IZK	Izk	IR	VR
	Nom (V)	Min (V)	Max (V)	mA	Ω		(mA)	(uA)	(V)
Y3ZP2D2V4	2.4	2.35	2.45	5	100	600	1.0	50	1.0
Y3ZP2D2V7	2.7	2.65	2.75	5	100	600	1	20	1
Y3ZP2D3V0	3	2.94	3.06	5	95	600	1	10	1
Y3ZP2D3V3	3.3	3.23	3.37	5	95	600	1	5	1
Y3ZP2D3V6	3.6	3.53	3.67	5	90	600	1	5	1
Y3ZP2D3V9	3.9	3.82	3.98	5	90	600	1	3	1
Y3ZP2D4V3	4.3	4.21	4.39	5	90	600	1	3	1
Y3ZP2D4V7	4.7	4.61	4.79	5	80	500	1	3	2
Y3ZP2D5V1	5.1	5	5.2	5	60	480	1	2	2
Y3ZP2D5V6	5.6	5.49	5.71	5	40	400	1	1	2
Y3ZP2D6V2	6.2	6.08	6.32	5	10	150	1	3	4
Y3ZP2D6V8	6.8	6.66	6.94	5	15	80	1	2	4
Y3ZP2D7V5	7.5	7.35	7.65	5	15	80	1	1	5
Y3ZP2D8V2	8.2	8.04	8.36	5	15	80	1	0.7	5
Y3ZP2D9V1	9.1	8.92	9.28	5	15	100	1	0.5	6
Y3ZP2D10	10	9.8	10.2	5	20	150	1	0.2	7
Y3ZP2D11	11	10.78	11.22	5	20	150	1	0.1	8
Y3ZP2D12	12	11.76	12.24	5	25	150	1	0.1	8
Y3ZP2D13	13	12.74	13.26	5	30	170	1	0.1	8



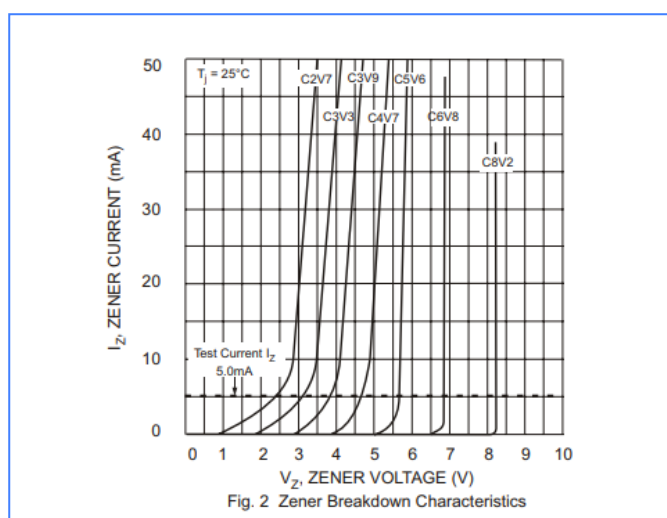
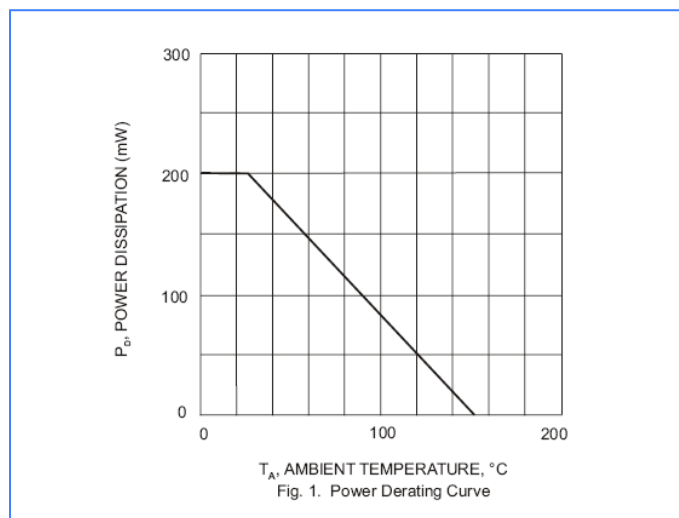
## Silicon Planar Zener Diodes Y3ZP2D2V4 THRU Y3ZP2D75

Trustworthy electronic circuit protection expert

Y3ZP2D14	14	13.72	14.28	5	25	110	1	0.1	10.5
Y3ZP2D15	15	14.7	15.3	5	30	200	1	0.1	10.5
Y3ZP2D16	16	15.68	16.32	5	40	200	1	0.1	11.2
Y3ZP2D18	18	17.64	18.36	5	45	225	1	0.1	12.6
Y3ZP2D20	20	19.6	20.4	5	55	225	1	0.1	14
Y3ZP2D22	22	21.56	22.44	5	55	250	1	0.1	15.4
Y3ZP2D24	24	23.52	24.48	5	70	10	1	0.1	16.8
Y3ZP2D27	27	26.46	27.54	2	80	300	0.5	0.1	18.9
Y3ZP2D30	30	29.4	30.6	2	80	300	0.5	0.1	21
Y3ZP2D33	33	32.34	33.66	2	80	325	0.5	0.1	23.1
Y3ZP2D36	36	35.28	36.72	2	90	350	0.5	0.1	25.2
Y3ZP2D39	39	38.22	39.78	2	130	350	0.5	0.1	27.3
Y3ZP2D43	43	42.14	43.86	2	130	350	0.5	0.1	29.4
Y3ZP2D47	47	45.83	48.17	2	170	1000	0.25	0.1	36
Y3ZP2D51	51	49.73	52.27	2	180	1300	0.25	0.1	39
Y3ZP2D56	56	54.6	57.4	2	200	1400	0.25	0.1	43
Y3ZP2D62	62	60.45	63.55	2	225	1400	0.25	0.1	47
Y3ZP2D68	68	66.3	69.7	2	240	1600	0.25	0.1	52
Y3ZP2D75	75	73.13	76.87	2	265	1700	0.25	0.1	56

\* Pulse width = 10 ms

### Typical Characteristics



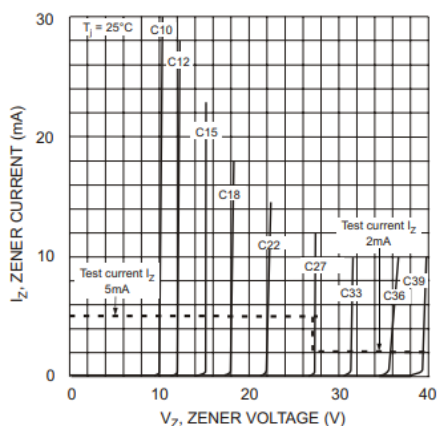


Fig. 3. Zener Breakdown Characteristics

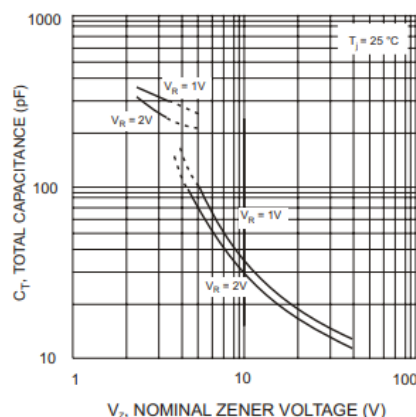
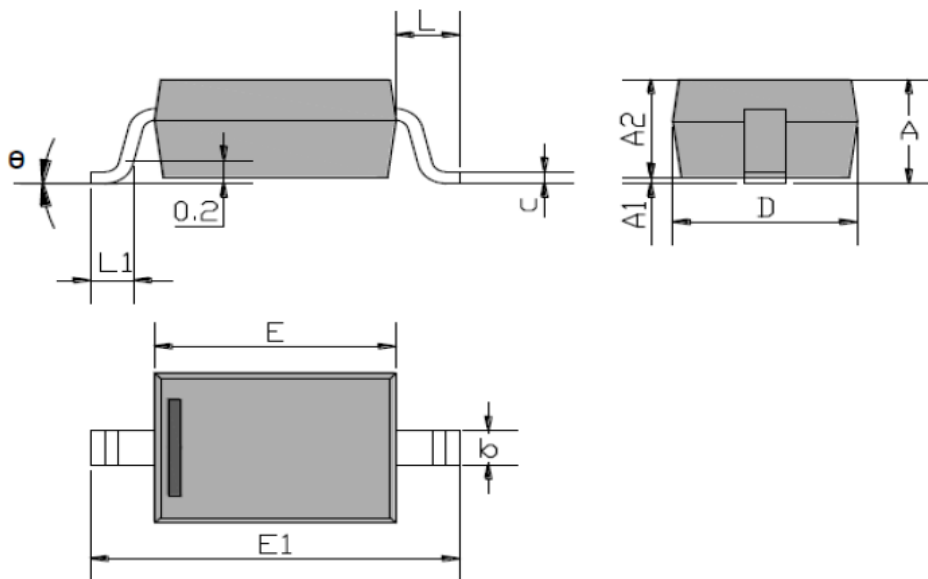


Fig. 4 Total Capacitance vs Nominal Zener Voltage

Package Outline

Package outline : SOD323-GW



SOD323 Package Outline

Symbol		A	A1	A2	b	c	D	E	E1	L	L1	$\theta$
Dimensions in mm	Min		0.000	0.800	0.250	0.080	1.200	1.600	2.500	0.475REF	0.250	0°
	Max	1.000	0.100	0.900	0.350	0.150	1.400	1.800	2.700		0.400	8°

Note:

1. Halogen free. EMC
2. Pb free solder
3. Lead thickness includes solder plating
4. Lead frame: A42
5. Other tolerance:  $\pm 0.05$
6. Dimensions are exclusive of Burrs, Mold Flash and Tie bar extrusions